



At the time of departure the crew of The Unity consisted of 36 members. A number of crewmembers knew each other well; they had made several voyages together. The captain was lord and master aboard his ship. Prior to departure the crew was required to sign the ships articles, this document explained the rules they needed to abide by.

① Test your knowledge

How is the content measured?

- a. in m
- b. in m²
- c. in m³
- d. in m⁴

$\frac{1}{4}$ of the crew is sick, there are 36 people on board, approximately how many are sick?

- a. 9
- b. 4
- c. 6
- d. 2

The cook has 40 loafs of bread, the captain gets $\frac{1}{2}$ of them, the first mate $\frac{1}{4}$, how much does the rest get?

- a. 15
- b. 10
- c. 5
- d. 20

$25 \times 40.012 =$ approximately?

- a. 1.000.000
- b. 500.000
- c. 10.000.000
- d. 100.00

$10,5 : 0,05 =$

- a. 21
- b. 2,1
- c. 210
- d. 2100

In bag A there are 33 peas, in bag B there are 48, in bag C there are 97, in bag D there are 102. On average, how many peas are there in each bag?

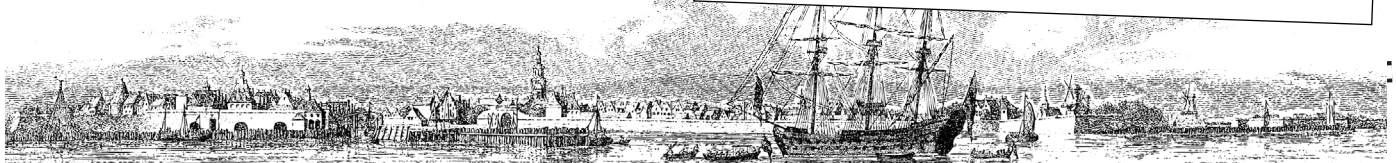
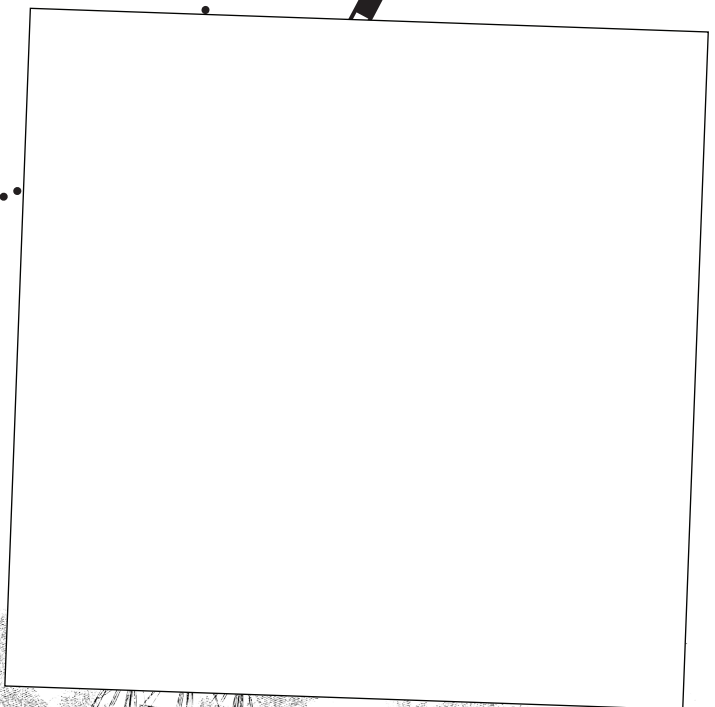
- a. 83
- b. 75
- c. 78
- d. 70

② Calculate

The food needed to be paid for.
Calculate what it cost.

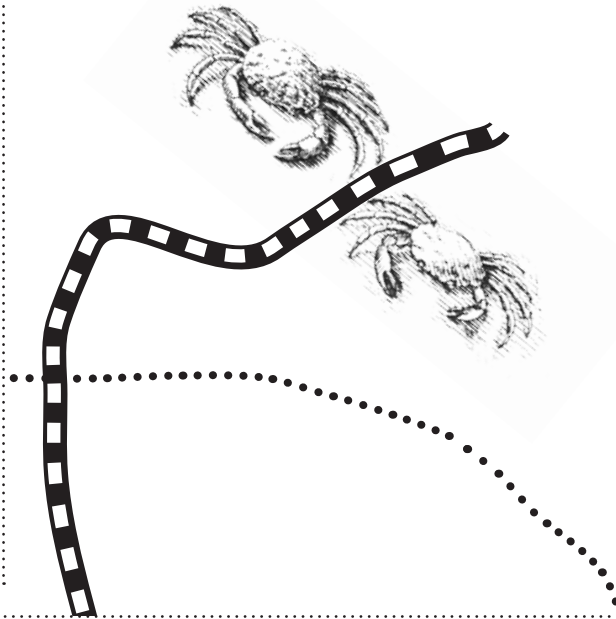
2,39	0,89	18,75	0,89
25 X	25 X	19 X	65 X
-----	-----	-----	-----
.....
12,35	281,25	412,50	806,25
652,55	40,05	59,63	75,65
71,20+	155,35+	227,05+	35,85+
-----	-----	-----	-----
.....

Tip: Use this paper on the right. →



③ Multiply by 10:

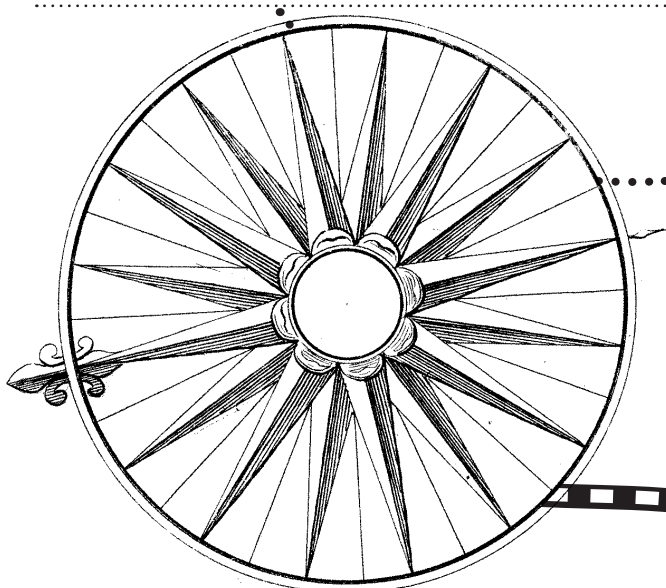
- | | |
|--------------|---------------|
| 1,27 = | 1,50 = |
| 0,95 = | 1,70 = |
| 4,45 = | 3,70 = |
| 0,39 = | 0,50 = |
| 0,09 = | 0,75 = |
| 3 = | 0,500 = |
| 1,5 = | 2,500 = |
| 0,50 = | 1,750 = |
| 5,6 = | 0,450 = |
| 0,8 = | 0,648 = |



④ Salary

The crew was paid wages for their labor. This was calculated monthly. The captain, for instance, earned 60 guilders per month, the first mate 36 guilders, the cook 23 guilders, a boatswain 24 guilders and a boatswain's mate and sail maker 20 guilders, a sailor earned an average of 17 guilders. Calculate how much the crew earned in two years:

Crew:	Wages per month:	Wages per year:	Wages per two years:
captain
first mate
cook
boatswain
boatswain's mate & sail maker
sailor



⑤ Imagine.....

you did this work two years for 408 guilders. Is this a lot, a little, or enough?

I think this is because,

.....

.....

.....